

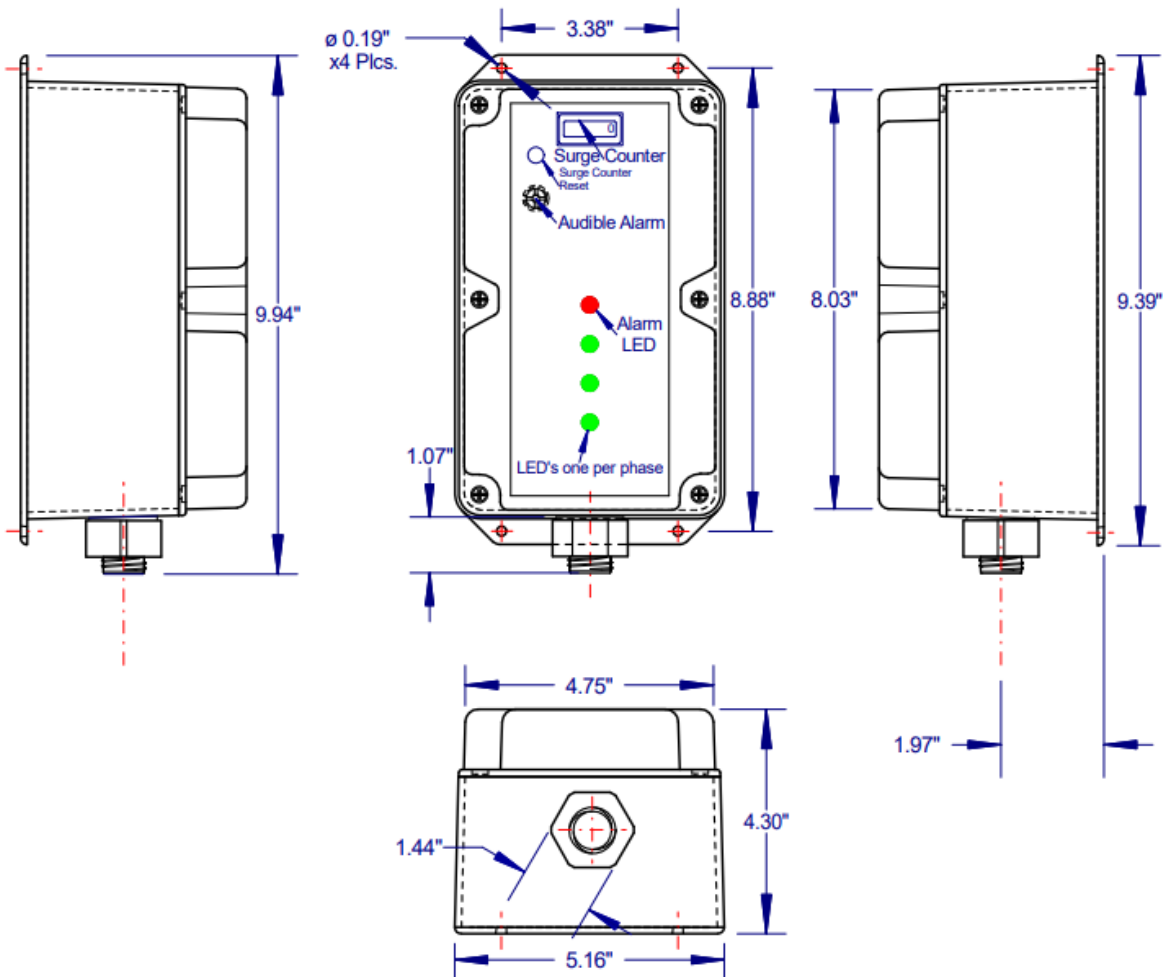


AC10S6 Option

P.O. Box 15732
 Brooksville, FL 34604-5732
 Phone: 888-987-8877
 Fax: 850-654-3844
 www.surgesuppression.com

The AC10S6 option is an internal audible alarm and surge counter. The internal audible alarm contains an 80 dB, 4 kHz continuous siren and a red trouble LED which activates if the unit fails. There is also one green LED per phase to show normal operation. These circuits are optimized to minimize power consumption when in an alarmed and unalarmed states.

The surge counter features a 6-digit LCD display, and a manual reset switch. The surge counter sensing circuit is current-based rather than voltage-based. That is, it only counts surges that the unit has acted upon by detecting surge current flowing into the device. The AC10S6 option is available with other NEMA 4X enclosure options.



Standard enclosure shown; enclosure varies by model and options.