



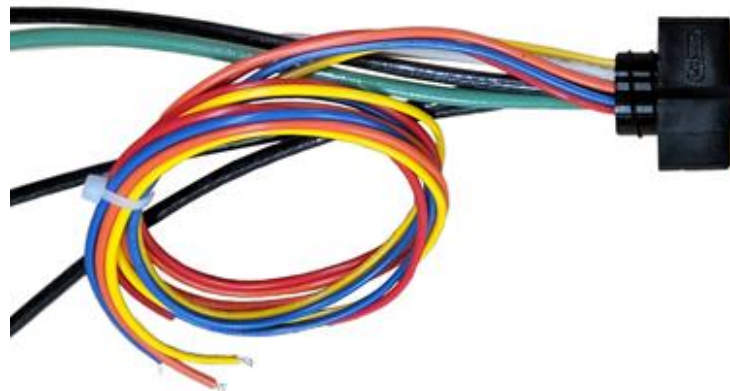
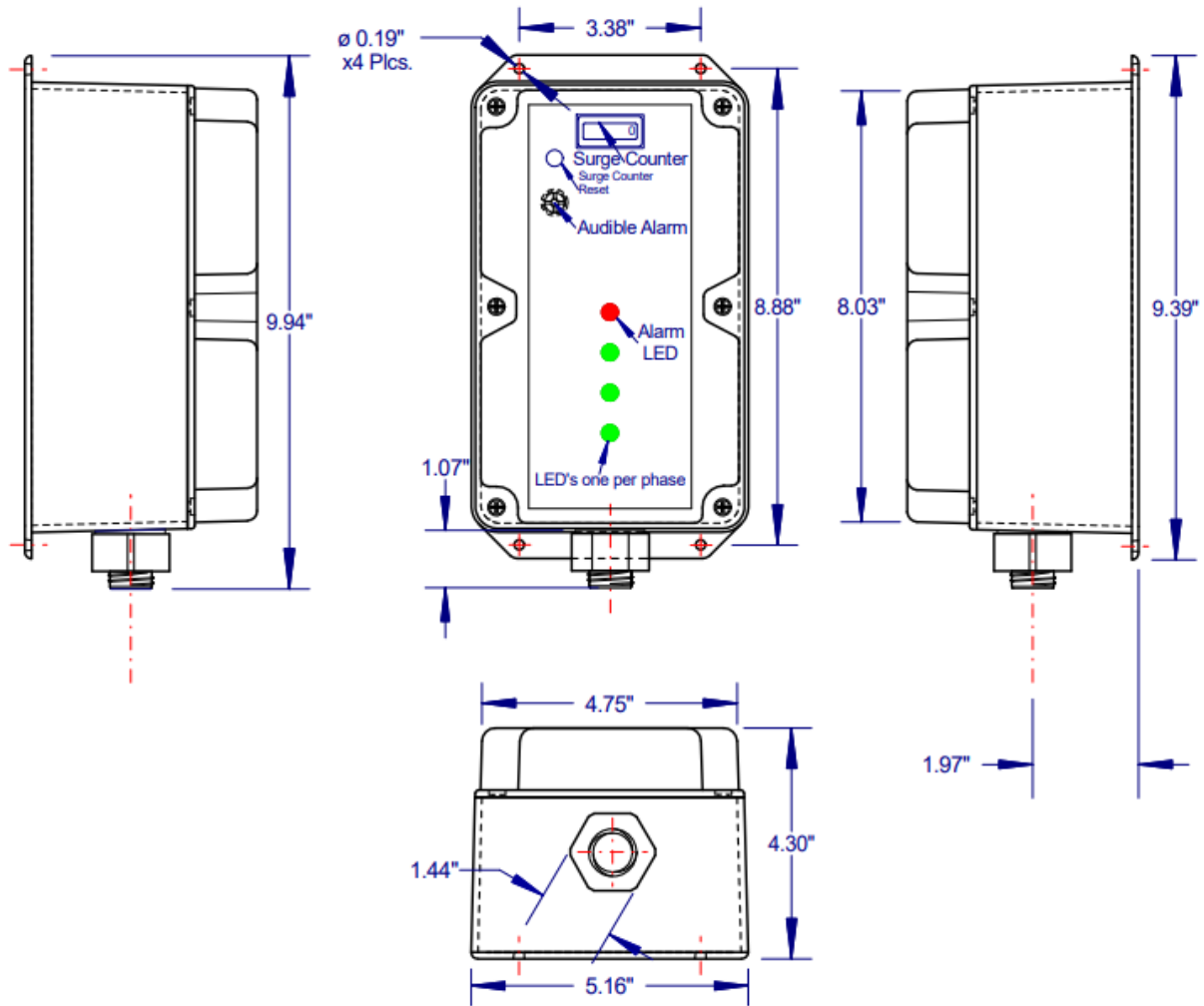
AC12S6 Option

P.O. Box 15732
Brooksville, FL 34604-5732
Phone: 888-987-8877
Fax: 850-654-3844
www.surgesuppression.com

The AC12S6 option is an internal audible alarm and surge counter. The internal audible alarm contains an 80 dB, 4 kHz continuous siren and a red trouble LED which activates if the unit fails. There is also one green LED per phase to show normal operation. These circuits are optimized to minimize power consumption when in an alarmed and unalarmed states. The alarm senses the status of the normally open dry relay contact (with power applied) of the connected SPD. The dry relay contacts consist of 24 inch Yellow, Blue and Orange 22 AWG wires pre-connected to terminals within the enclosure and extend out through the hub. Yellow + Blue = normally Open (N/O) with power applied. Orange + Blue = Normally closed (N/C) with power applied. In the case of a failure the alarm and red LED continue to operate until power is removed.

The surge counter features a 6-digit LCD display, and a manual reset switch. The surge counter sensing circuit is current-based rather than voltage-based. That is, it only counts surges that the unit has acted upon by detecting surge current flowing into the device. The AC12S6 option is available with other NEMA 4X enclosure options.

Standard enclosure shown; enclosure varies by model and options.



Hub with connection and dry relay contact wires shown