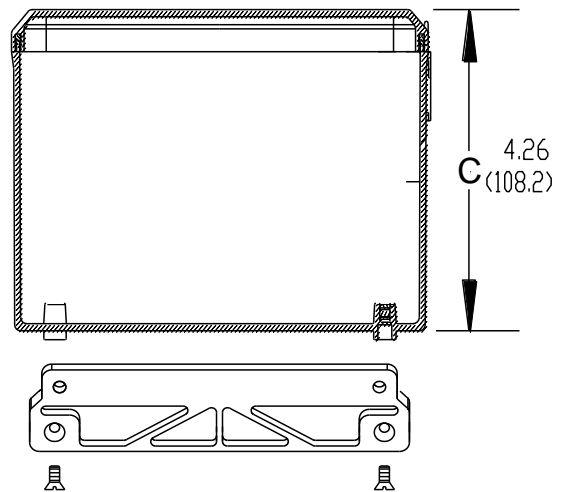
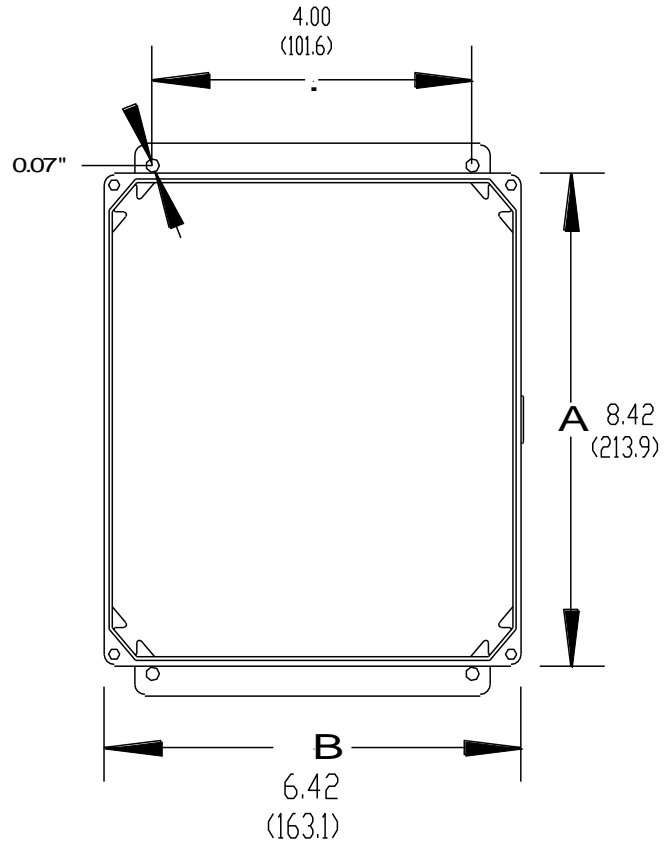




## X2 Option

PO Box 15732  
 Brooksville, FL 34604  
 Phone: 888-987-8877  
 Fax: 888-900-887  
 surgesuppression.com

- Material: Polycarbonate
- NEMA/UL ratings: 1, 2, 3, 3S, 4, 4X, and 12.
- For Units, up to and included 100 kA per mode
- Factory installed mounting feet



Picture not to scale, shown for general representation only.