

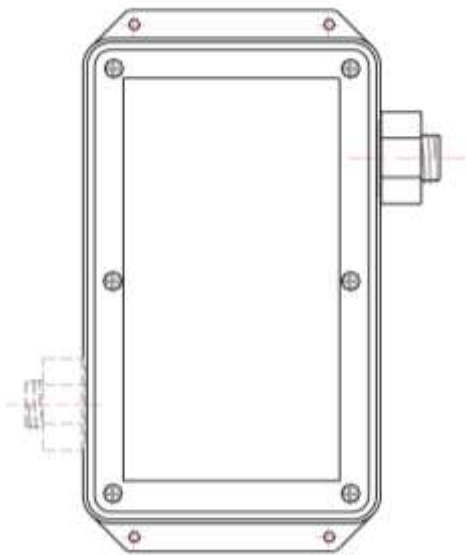


E Options

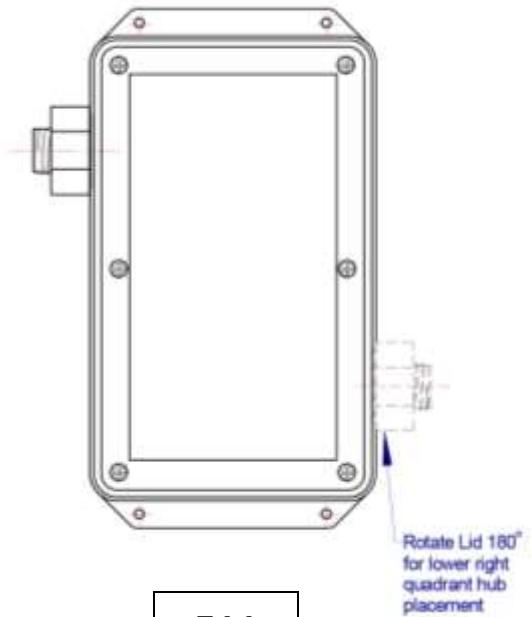
PO Box 15732
 Brooksville, FL 34604
 Phone: 888-987-8877
 Fax: 888-900-887
 surgesuppression.com

The “E” options define how the wires exit an SPD module.

E1	The “E1” option places the hub on the side of the enclosure. The hub is placed on the upper-left quadrant of the box. Of course, this location can be moved simply by rotating the lid (puts the hub in the lower-right quadrant). This option is typically used when installing the suppressor external but adjacent to a panel so that the unit is vertically parallel with the panel.
E11	The “E11” option places the hub on the side of the enclosure. The hub is placed on the upper-right quadrant of the box. Of course, this location can be moved simply by rotating the lid (puts the hub in the lower-left quadrant). This option is typically used when installing the suppressor external but adjacent to a panel so that the unit is vertically parallel with the panel.



E1



E11