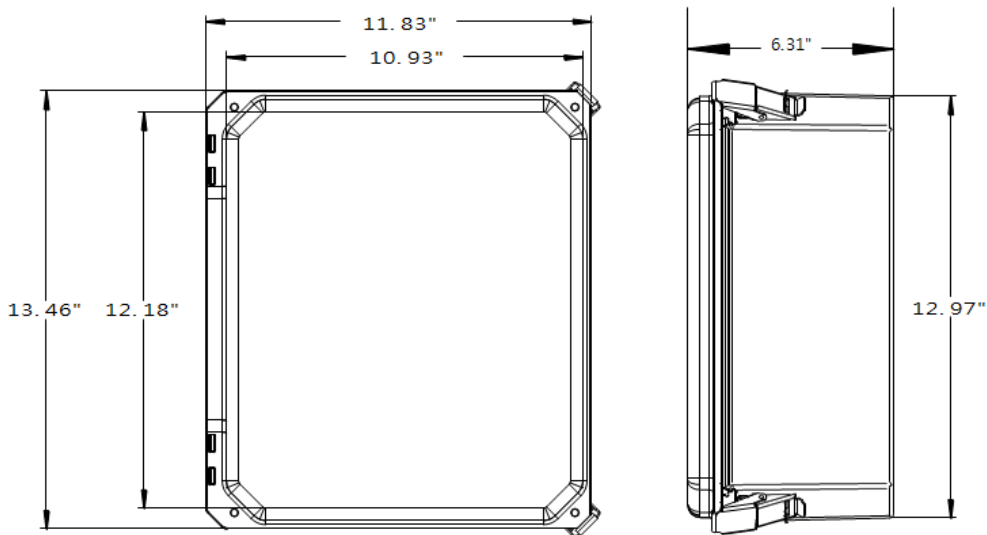




D3 Option

PO Box 15732
Brooksville, FL 34604
Phone: 888-987-8877
Fax: 888-900-887
surgesuppression.com

The D3 Option is a disconnect option with no external handle on the outside of the enclosure. This option is used in special cases when access to the switch is intended to be minimized. The disconnect switch can be turned off only after opening the lid of the suppressor.



Disconnect Wire Range:
#10 – #4AWG
Shipping Weight:
The shipping weight is dependent
on the module and options ordered.

