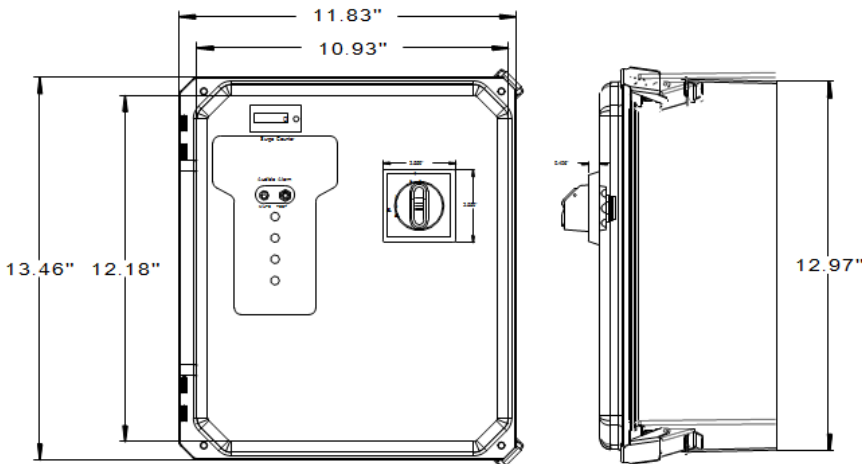




## D1 Option

PO Box 15732  
Brooksville, FL 34604  
Phone: 888-987-8877  
Fax: 888-900-887  
surgesuppression.com

The “D1” option is the most common disconnect option utilized. This option provides a compact enclosure size along with the convenience of being able to replace the “module” without removing power to the electrical system to which it is connected. This box-in-a-box concept is created by using a standard suppressor model and a disconnect switch mounted on a back plate inside a larger NEMA 4X Composite enclosure. The handle protrudes to the outside of the enclosure for quick and easy disconnection from the



Disconnect Wire Range:

#10 – #4AWG

Shipping Weight:

The shipping weight is dependent on the module and options ordered.

