

GB-PoE-DIN Data Line Models

Network Data Circuit protection device with Discrete All-Mode Protection



P.O. Box 15732
 Brooksville, FL 34604
 Phone: 888-987-8877
 Fax: 888-654-3844
www.surgesuppression.com

SSI's Ethernet surge protective devices (SPD) represent state-of-the-art componentry mitigating the adverse effects from surge voltages and in-rush currents. The Ethernet series are UL 497B listed and are internally fused to disconnect the system in the event of a power-cross (Telcordia GR-1089, Levels 1 and 2).

GENERAL

Description:	Series wired Surge Protective Device for the protection of data circuits.
Application:	Designed for use with data, signal, and PoE/Ethernet circuits to protect data transmission system equipment from damaging transients generated between terminals and equipment in the data collection/transmission system.
Warranty:	10 Year Limited Warranty
Unit Listing:	Listed to ANSI/UL 497B
IEC Environments:	Suitable for use in IEC 61643-21 environments

MECHANICAL

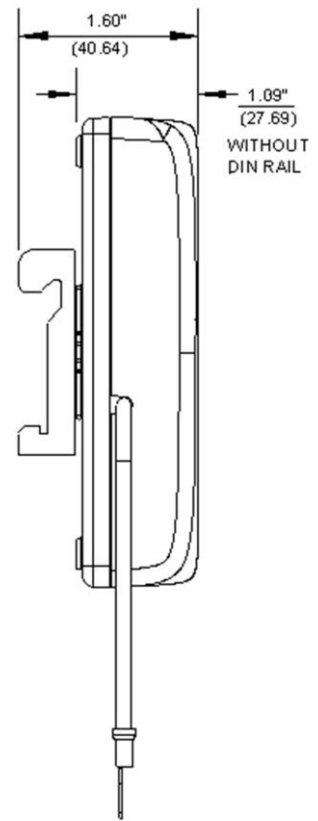
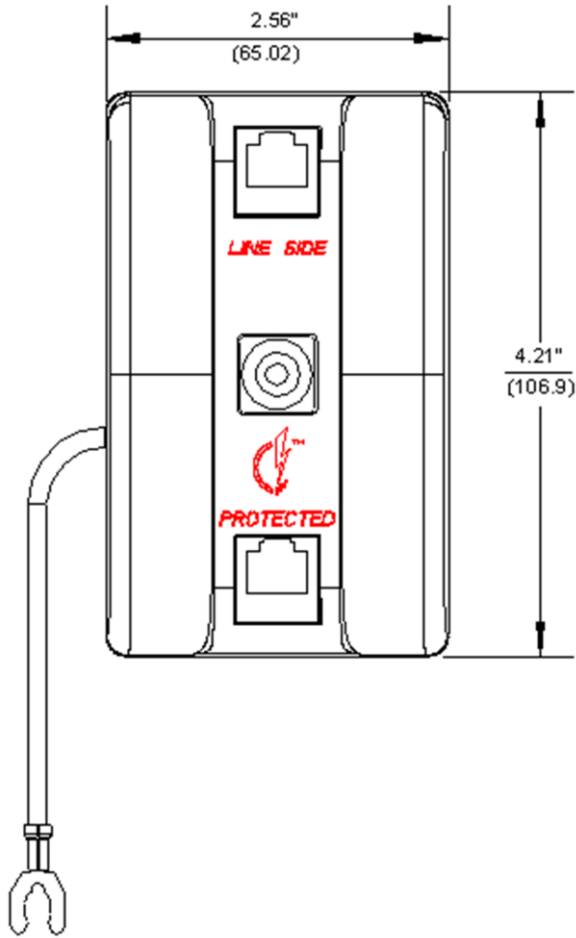
Enclosure:	NEMA 1 (IP20)
Mounting:	DIN rail mounting.
Connection Method:	RJ45 modular connectors
Shipping Weight:	< 1 lbs

CIRCUITRY

Circuit Design:	Series/Parallel multi-stage hybrid surge protective components including internal per-line fusing, voltage switching, surge voltage limiting, and surge current limiting.
Protection Modes:	Dedicated protection components and circuitry for each mode. Discrete L-L (Normal Mode) and L-G (Common Mode)

PERFORMANCE

Loop Resistance/pair:	≈ 6 Ω typ.
Connectors:	RJ-45, Shielded
Operating Voltage:	≤ 57 V
Bit Error Rating (BER):	
10,100 Mbps	>100 meters
1 GB/s	
Surge Limiting – Let Through Voltage:	< 60 Vpk
Surge Limiting – Let Through Current	< 1 Amp peak
Surge Current Rating (Imax)	10 kA/line (Complies with the requirements of UL 96A Master Label for Installation Requirements for Lightning Protection Systems)
Power over Ethernet (PoE) – Power Rating:	35 W, Class 4
Operating & Storage Temperature Rating	-40 to 65 °C (-40 to 140 °F)



DIMENSIONS: — INCHES
(MM)

