

CLC##A2K-B

Terminal Block Kelvin Connected Current Loop Protection



P.O. Box 15732
Brooksville, FL 34604
Phone: 888-987-8877
Fax: 888-654-3844
www.surgesuppression.com

The CL Series devices are designed to protect highly sensitive current loop circuits, signal lines and/or low speed data lines feeding: transducers, leak detectors, flow meters and a broad variety of similar sensory devices from damage due to surges. These devices are series connected using either terminal strips or wires provided (optional), making your installation a breeze. A ground lug is provided on the top of the unit to insure a low impedance ground discharge path.

The unique design of these devices makes them among the most versatile SPD devices on the market with superior performance specs and a warranty that is second to none.

GENERAL

Description:	Series wired transient voltage surge suppressor with Optimal Response Network™ circuitry for protection of current loop circuits, signal lines and other low speed data circuits.
Application:	Designed for use with data collection and switching circuits to protect data transmission system equipment from damaging transients generated between terminals and equipment in the data collection/transmission system.
Warranty:	25 Years Unlimited Free Replacement
Unit Listing:	Listed to UL497B

MECHANICAL

Enclosure:	Plastic, UL 94-5VA
Mounting:	External mounting feet / DIN mounting feet (DIN option)
Connection Method:	Terminals strips (standard) or integrated wire leads (W option) [Terminal strip wire range: # 14-22 AWG], or # 18 AWG integrated wire leads provided (W option).
Grounding Method:	#10/32 Ground stud for # 6-12 AWG wire.
Shipping Weight:	< 1 lbs

CIRCUITRY

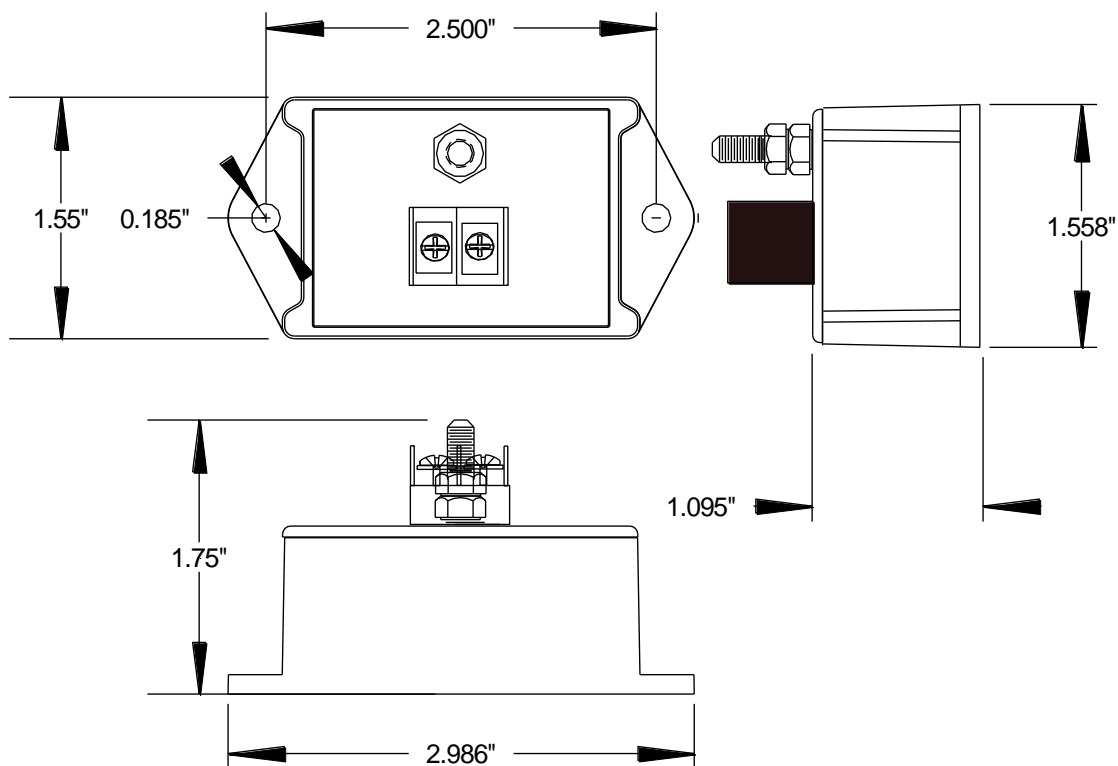
Circuit Design:	Series wired hybrid design incorporating discrete all mode protection and utilizing our encapsulated Optimal Response Network™ design to provide lowest possible let-through voltages. All suppression circuits are encapsulated in our high dielectric compound to promote long component life and protection from the environment and/or vibration.
Protection Modes:	Dedicated protection components and circuitry for each mode. Discrete L-L (Normal Mode) and L-G (Common Mode)

PERFORMANCE

Nominal Operating Voltages:	See Table on back
Maximum Continuous Operating Current:	5 A
Frequency Range:	DC to 20 MHz
Maximum Data Rate:	Up to 2 Mbps
Series Resistance:	0 Ohms per wire
Peak Surge Current per Pair:	1,500 Watts (L-G)

Let-Through Voltages Using ANSI/IEEE C62.45 & C62.41 Test Environment: Static, positive polarity. All voltages are peak ($\pm 10\%$).			
Model	Maximum Continuous Operating Voltages	Test Mode	10 x 1,000 μ sec, Impulse waveform
CLC5AK2-B	7.5 V	L-G	< 20 V
	15 V	L-L	< 40 V
CLC12AK2-B	24 V	L-G	< 30 V
	48 V	L-L	< 60 V
CLC24AK2-B	36 V	L-G	< 60 V
	72 V	L-L	< 120 V
CLC48AK2-B	62 V	L-G	< 90 V
	124 V	L-L	< 180 V
CLC140AK2-B	200 V	L-G	< 250 V
	400 V	L-L	< 500 V

C may be replaced with W for wires instead of terminals



Wired (W) and DIN (DIN) option not pictured

Actual unit may vary from picture