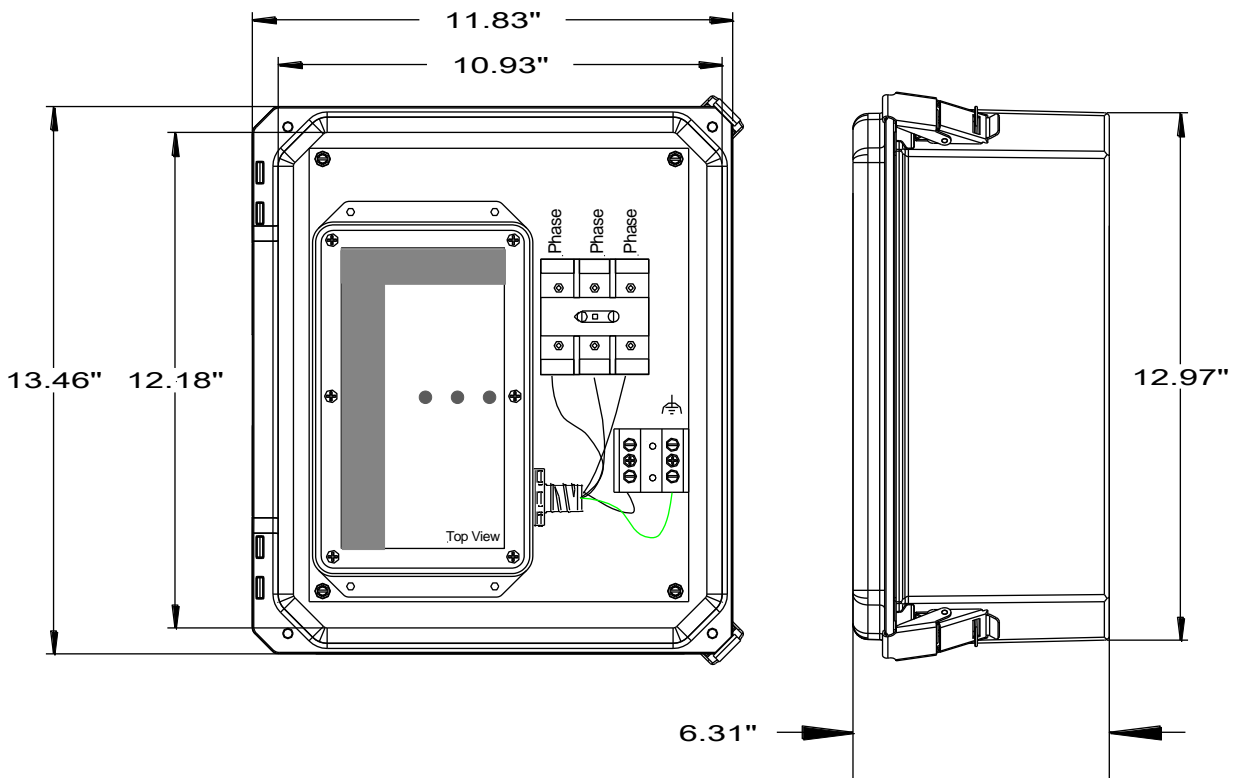




D17 Option

P.O. Box 15732
Brooksville, FL 34604
Phone: 888-987-8877
Fax: 850-654-3844
www.surgesuppression.com

The D17 Option is a disconnect option with no external handle on the outside of the enclosure. This option is used in cases when access to the switch is intended to be minimized. The disconnect switch can be turned off only after opening the lid of the suppressor. The main benefit of the D17 option is that the clear lid of this enclosure allows for a visual inspection of the unit inside without having to open the lid. This also allows the unit diagnostics to shine through the lid. This option is intended for NEMA 4X type installations and is available for units up to S/CMLx. (Note: This option is not intended for locations in full or direct sunlight. Warranty is voided if mounted so.)



Disconnect Wire Range:
#10 – #4 AWG

Shipping Weight:
The shipping weight is
dependent on the module
and options ordered.